

VERTICAL MULTISTAGE CENTRIFUGAL ELECTRIC PUMPS

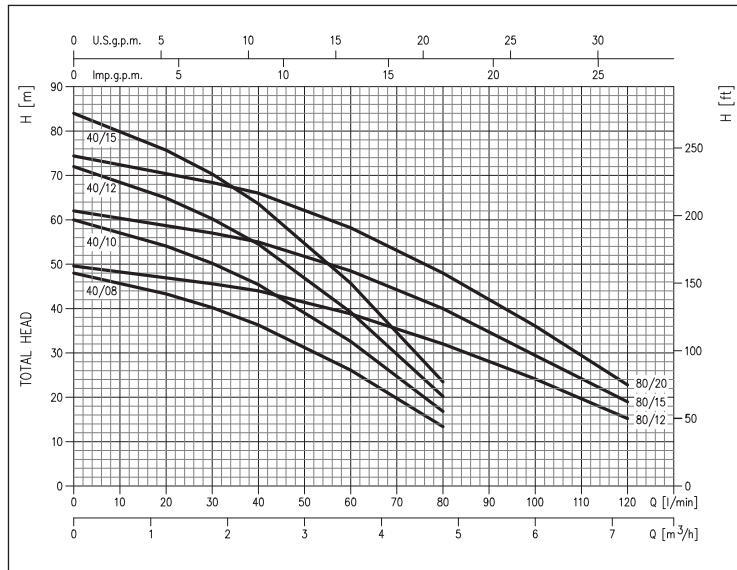
in AISI 304



MULTIGO

MULTIGO IN-LINE

PERFORMANCE CURVES (according to ISO 9906 Attachment A)



AISI 304 vertical multistage centrifugal electric pumps.

APPLICATIONS

- Boosting of domestic and community hydraulic plants
- Moving liquids in places subject to flooding
- Supplying fountains
- Water games
- Sprinkling irrigation of small vegetable patches and gardens

TECHNICAL DETAILS

- Reliable
- Silent
- Equipped with motor cooled by the flow of moving water
- Twin mechanical seal with interposed oil chamber containing the lubrication bliquid that ensures long duration
- Equipped with 5 m of H07 RN-F power supply cable
- Also available in the in-line version

TECHNICAL DATA

- Maximum working pressure: 10 bar
- Maximum temperature of the liquid: 40°C
- Maximum suction depth: 6 m
- Asynchronous motor cooled via the moving liquid
- Class of insulation F
- IP68 Protection rating
- 230V ±10%, 50Hz single phase voltage, 400 ±10%, 50Hz three phase voltage
- Permanent capacitor inserted and thermo-amperometric protection with automatic rearm incorporated for the single phase motor
- Protection under user's responsibility for the three phase version
- G1¼ suction and discharge connection

MATERIALS

- Pump body, seal housing disc, external casing and motor cover in AISI 304
- Impeller and nozzle in PPO reinforced with fibreglass
- Shaft in AISI 416
- Mechanical seal in Carbon/Ceramic/NBR

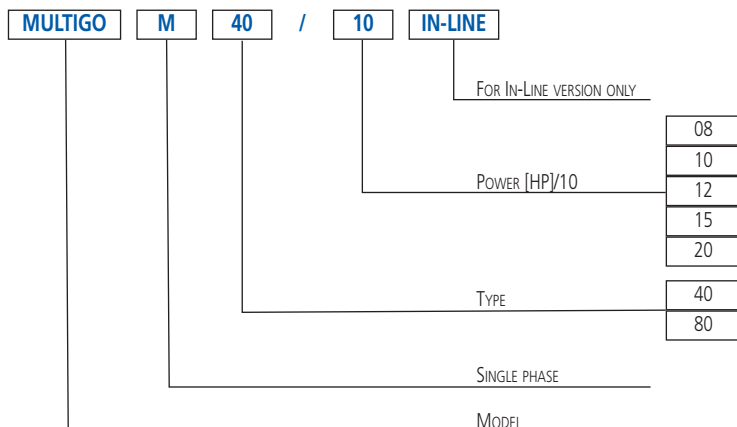
CONTROL PANELS

- 1EPBH (see page 68)

ACCESSORIES (on request)

- 5 litre 10 bar ¾ EPDM vessel
- 24 litre 8 bar 1" EPDM vessel
- 24 litre 10 bar 1" EPDM vessel
- 24 litre 16 bar 1" EPDM vessel
- PVC 5m key float with counter-weight
- PVC 10m key float with counter-weight
- SQUARE-D FSG-2 1.4÷4.6 bar G¼ F pressure switch
- FYG-22 2.8÷7 bar G¼ F pressure switch
- FYG-32 5.6÷10.5 bar G¼ F pressure switch
- Presscomfort - Pressure regulator (see page 70)
- Press•o•Matic - Variable speed control system (230V±10% single phase - power supply three phase 220V output - maximum motor power 2.2 kW - 3 HP - see page 71)

IDENTIFICATION CODE

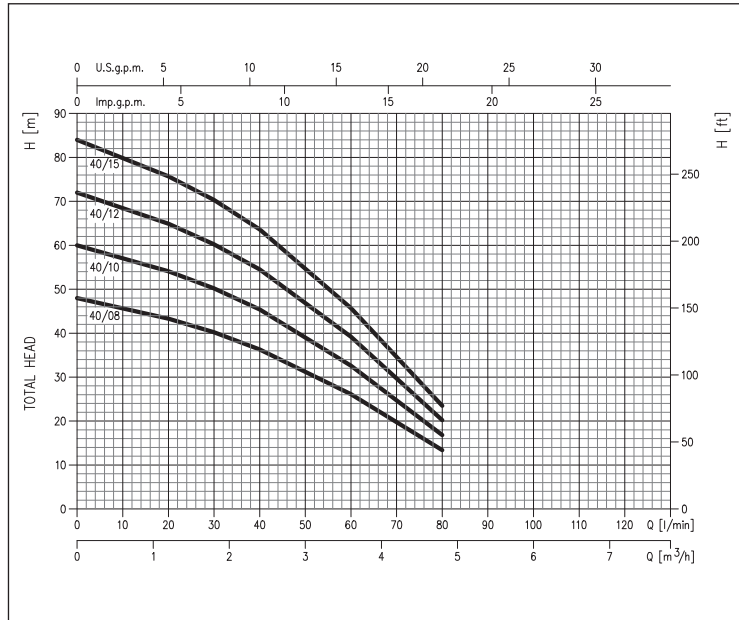


VERTICAL MULTISTAGE CENTRIFUGAL ELECTRIC PUMPS

in AISI 304

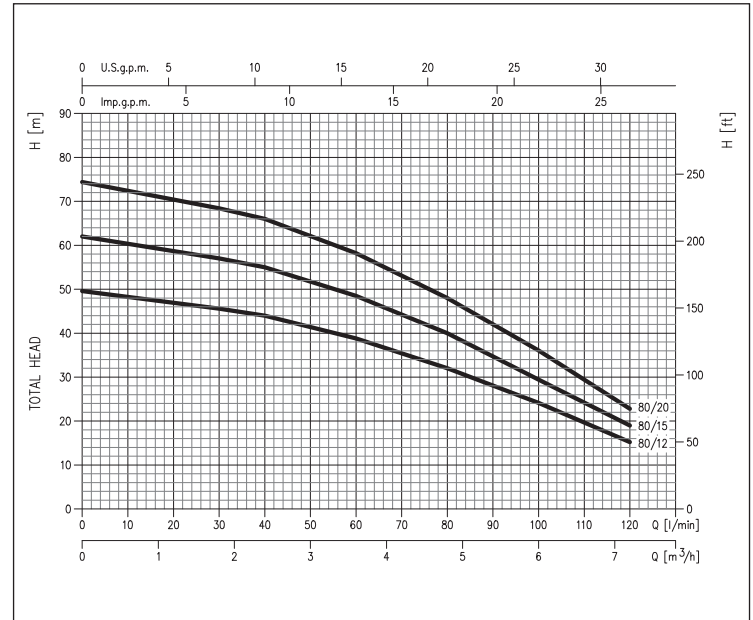
MULTIGO 40 range PERFORMANCE CURVES

(according to ISO 9906 Attachment A)



MULTIGO 80 range PERFORMANCE CURVES

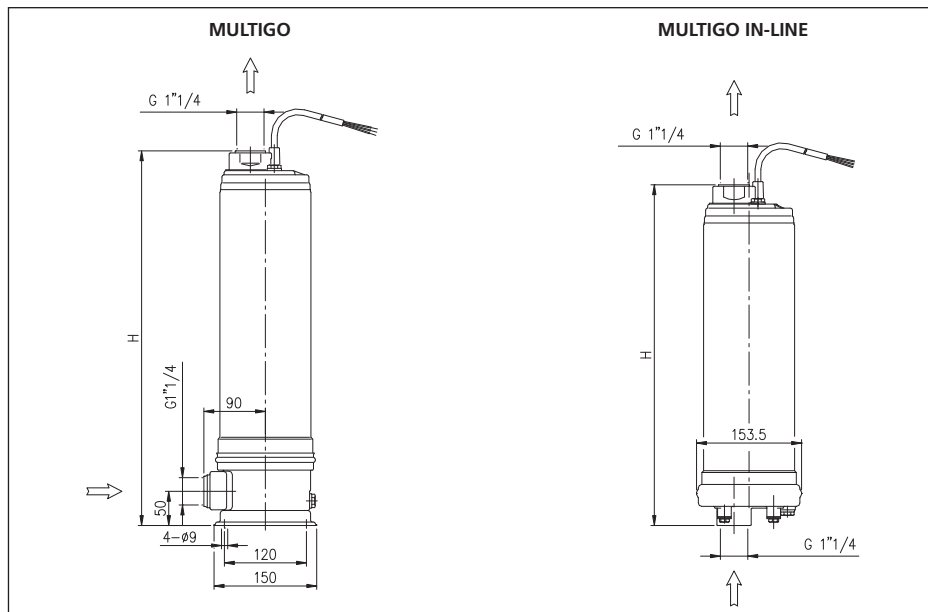
(according to ISO 9906 Attachment A)



PERFORMANCE TABLE

| MULTIGO | Model | MULTIGO IN-LINE | P ₂ | | Q=Flow rate | | | | | | | |
|----------------|---------------|-----------------|----------------|------|----------------------------|-----------|-----------|-----------|-----------|-----------|----------|------------|
| | | | [HP] | [kW] | l/min m ³ /h | 20 1,2 | 30 1,8 | 40 2,4 | 60 3,6 | 80 4,8 | 100 6 | 120 7,2 |
| | | | H=Head [m] | | | | | | | | | |
| MULTIGO M40/08 | MULTIGO 40/08 | | 0,8 | 0,6 | 43,3 | 40,2 | 36,3 | 26,1 | 13,4 | - | - | |
| MULTIGO M40/10 | MULTIGO 40/10 | | 1 | 0,75 | 54,1 | 50,2 | 45,4 | 32,6 | 16,8 | - | - | |
| MULTIGO M40/12 | MULTIGO 40/12 | | 1,2 | 0,9 | 64,9 | 60,2 | 54,5 | 39,2 | 20,2 | - | - | |
| MULTIGO M40/15 | MULTIGO 40/15 | | 1,5 | 1,1 | 75,7 | 70,3 | 63,6 | 45,7 | 23,5 | - | - | |
| MULTIGO M80/12 | MULTIGO 80/12 | | 1,2 | 0,9 | - | 45,6 | 44,0 | 38,8 | 32,0 | 23,2 | 15,2 | |
| MULTIGO M80/15 | MULTIGO 80/15 | | 1,5 | 1,1 | - | 57,0 | 55,0 | 48,5 | 40,0 | 28,0 | 19,0 | |
| MULTIGO M80/20 | - | | 2 | 1,5 | - | 68,4 | 66,0 | 58,2 | 48,0 | 34,8 | 22,8 | |

DIMENSIONS TABLE



DIMENSIONS TABLE

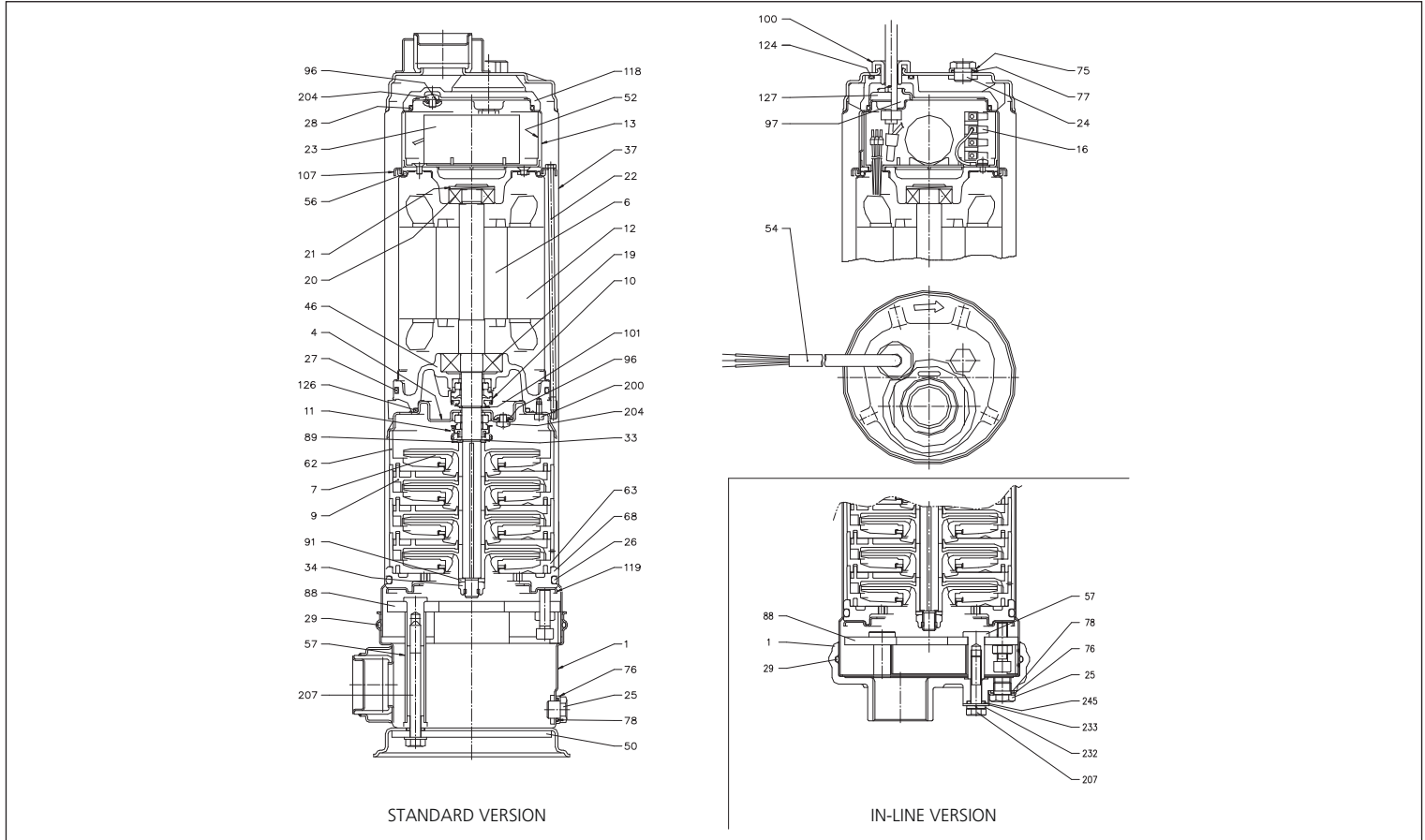
| Model | H [mm] | | Weight [kg] | |
|---------------|------------------|-----------------|-------------|------|
| | STANDARD VERSION | IN-LINE VERSION | [2] | [1] |
| MULTIGO 40/08 | 547 | 501 | 13,4 | 13,0 |
| MULTIGO 40/10 | 573 | 527 | 14,4 | 14,0 |
| MULTIGO 40/12 | 624 | 578 | 14,8 | 14,4 |
| MULTIGO 40/15 | 650 | 604 | 16,4 | 16,0 |
| MULTIGO 80/12 | 573 | 527 | 14,8 | 14,4 |
| MULTIGO 80/15 | 598 | 552 | 16,1 | 15,7 |
| MULTIGO 80/20 | 624 | - | - | 17,2 |

[1]= Three-phase only
[2]= Single phase only

VERTICAL MULTISTAGE CENTRIFUGAL ELECTRIC PUMPS

in AISI 304

SECTIONAL VIEW



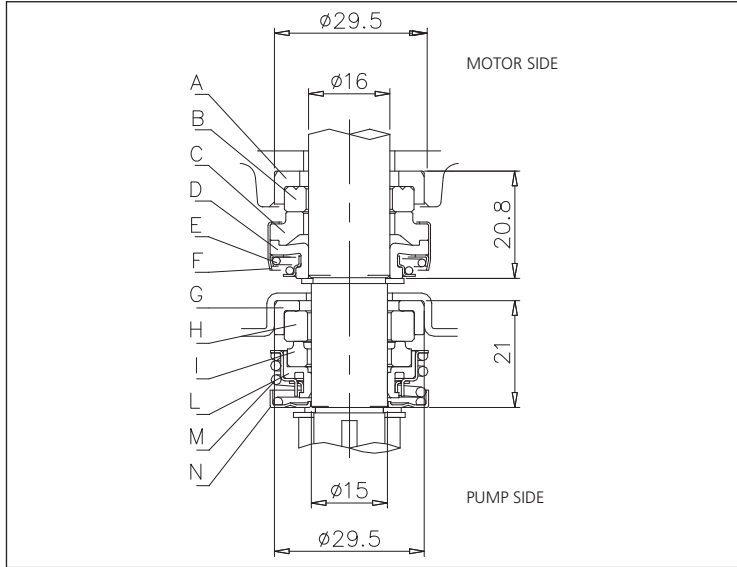
MATERIALS TABLE

| Ref. | Name | Material | Ref. | Name | Material |
|------|-----------------------------------|---------------------------------|------|--------------------------------------|--------------------------------|
| 1 | Pump body | EN 1.4301 (AISI 304) | 56 | O-Ring | NBR |
| 4 | Seal housing disc | EN 1.4301 (AISI 304) | 57 | Filter spacer | EN 1.4305 (AISI 303) |
| 6 | Shaft | EN 1.4057 (AISI 431) | 62 | Stage box | PPO reinforced with fibreglass |
| 7 | Impeller | PPO reinforced with fibreglass | 63 | Stage box with hole | PPO reinforced with fibreglass |
| 9 | Nozzle | PPO reinforced with fibreglass | 68 | Lower spacer | PPO reinforced with fibreglass |
| 10 | Motor side mechanical seal | Carbon/Ceramic/NBR | 75 | Washer | EN 1.4301 (AISI 304) |
| 11 | Pump side mechanical seal | Carbon/Ceramic/NBR | 76 | Washer | EN 1.4301 (AISI 304) |
| 12 | Motor casing with stator | - | 77 | O-Ring | NBR |
| 13 | Motor cover | EN 1.4301 (AISI 304) | 78 | O-Ring | NBR |
| 16 | Terminal box | - | 88 | Closing ring | EN 1.4301 (AISI 304) |
| 19 | Bearing (pump side) | - | 89 | Washer | EN 1.4301 (AISI 304) |
| 20 | Bearing (motor side) | - | 91 | Washer | EN 1.4301 (AISI 304) |
| 21 | Adjusting ring | Steel C70 | 96 | O-Ring | NBR |
| 22 | Tie-rod | EN 1.4305 (AISI 303) | 97 | Cable gland | NBR |
| 23 | Capacitor (for single phase only) | - | 100 | Lock screw | EN 1.4305 (AISI 303) |
| 24 | Filler cap | EN 1.4305 (AISI 303) | 101 | Seeger ring | EN 1.4021 (AISI 420) |
| 25 | Drain plug | EN 1.4305 (AISI 303) | 107 | Closing ring | EN 1.4301 (AISI 304) |
| 26 | O-Ring | NBR | 118 | Upper spacer with hole | Brass |
| 27 | O-Ring | NBR | 119 | Flange for spacer | EN 1.4301 (AISI 304) |
| 28 | O-Ring | NBR | 124 | O-Ring | NBR |
| 29 | O-Ring | NBR | 126 | O-Ring | NBR |
| 33 | Seeger ring | EN 1.4301 (AISI 304) | 127 | Cable gland connector (power supply) | EN 1.4301 (AISI 304) |
| 34 | Impeller nut | EN 1.4301 (AISI 304) | 200 | Screw | Stainless steel A2 UNI 7323 |
| 37 | Casing | EN 1.4301 (AISI 304) | 204 | Screw | Stainless steel A2 UNI 7323 |
| 46 | Bearing holder support | Brass | 207 | Screw | Stainless steel A2 UNI 7323 |
| 50 | Pump body support | EN 1.4301 (AISI 304) | 232 | Washer | Stainless steel A2 UNI 7323 |
| 52 | Capacitor-holder box | PA66 reinforced with fibreglass | 233 | Washer | Stainless steel A2 UNI 7323 |
| 54 | Power supply cable | - | 245 | O-Ring | NBR |

VERTICAL MULTISTAGE CENTRIFUGAL ELECTRIC PUMPS

in AISI 304

MECHANICAL SEAL



MATERIALS TABLE

| Ref. | Name | Material |
|------|-----------------------|----------|
| A | Fixed gasket | NBR |
| B | Fixed sealing ring | Ceramic |
| C | Rotating sealing ring | Carbon |
| D | Rotating gasket | NBR |
| E | Spring | AISI 304 |
| F | Structure/frame | AISI 304 |
| G | Fixed gasket | NBR |
| H | Fixed sealing ring | Ceramic |
| I | Rotating sealing ring | Carbon |
| L | Rotating gasket | NBR |
| M | Spring | AISI 304 |
| N | Structure/frame | AISI 304 |

ELECTRIC DATA TABLE

| Model | | P ₂ | | Single phase Capacitor | | P ₁ | | Absorbed Current [A] | |
|-------------------|----------------------|----------------|------|------------------------|----------------|-------------------|------------------|----------------------|------------------|
| 230V single phase | 230/400V three-phase | [HP] | [kW] | μF | V _c | Single phase [kW] | Three phase [kW] | Single phase 230V | Three phase 400V |
| MULTIGO M40/08 | MULTIGO 40/08 | 0,8 | 0,6 | 16 | 450 | 1 | 0,95 | 4,3 | 1,9 |
| MULTIGO M40/10 | MULTIGO 40/10 | 1 | 0,75 | 20 | 450 | 1,25 | 1,18 | 5,7 | 2,2 |
| MULTIGO M40/12 | MULTIGO 40/12 | 1,2 | 0,9 | 20 | 450 | 1,42 | 1,33 | 6,8 | 2,4 |
| MULTIGO M40/15 | MULTIGO 40/15 | 1,5 | 1,1 | 31,5 | 450 | 1,6 | 1,55 | 7,3 | 3 |
| MULTIGO M80/12 | MULTIGO 80/12 | 1,2 | 0,9 | 20 | 450 | 1,33 | 1,22 | 6,4 | 2,3 |
| MULTIGO M80/15 | MULTIGO 80/15 | 1,5 | 1,1 | 31,5 | 450 | 1,62 | 1,52 | 7,5 | 3,1 |
| - | MULTIGO M80/20 | 2 | 1,5 | - | - | - | 1,9 | - | 3,5 |